

1pc SUP Grip Installation Instructions for Uncut Straight Shaft Paddles

These instructions are not applicable on adjustable straight and bent shaft paddles. An instructional video for the following procedure is also available on our website at www.wernerpaddles.com

Items needed for Installation:

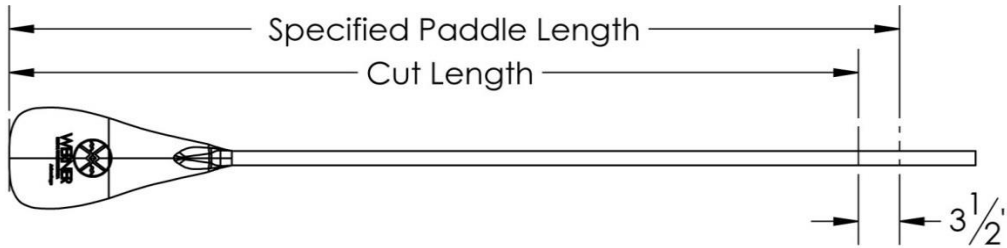
- Cutting tool, preferably with a grit blade. A hack saw/miter box is easy and accurate.
- 40 grit sandpaper.
- Waterproof, slow cure, high viscosity epoxy. See page 4 for a list of recommended adhesives.
- Masking tape.
- Werner Paddles supplied grip.
- Proper safety equipment, which may include protective eye wear, gloves and hearing protection.
- Disposable rags for removing excess glue.

Determining the cut measurement:

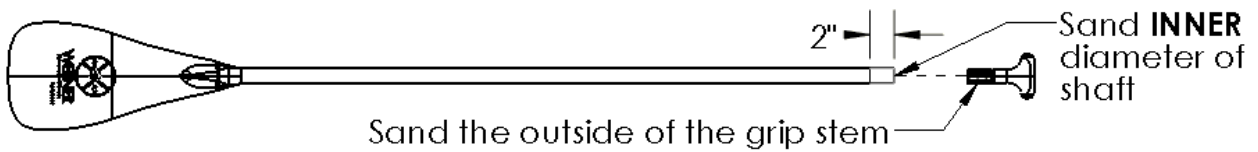
Determine the desired overall paddle length. Keep in mind that the SUP grip will add 3 ½ inches to overall length. Use the chart below for your reference. If you need help determining your size, please visit our website at www.wernerpaddles.com.

Specified Paddle Length (in)	Cut Length (in)
60	56.5
61	57.5
62	58.5
63	59.5
64	60.5
65	61.5
66	62.5
67	63.5
68	64.5
69	65.5
70	66.5
71	67.5
72	68.5
73	69.5
74	70.5
75	71.5
76	72.5
77	73.5
78	74.5
79	75.5
80	76.5
81	77.5
82	78.5
83	79.5
84	80.5
85	81.5
86	82.5

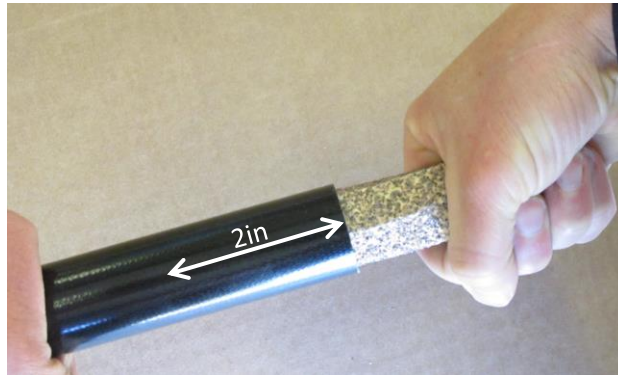
Installation Instructions:



1. Mark your measurement.
2. Cut to length (Measure twice, cut once).
3. Finish end with sand paper to make edges smooth.



4. Sand inner diameter of shaft with sandpaper approx. 2 inches down from top of shaft.



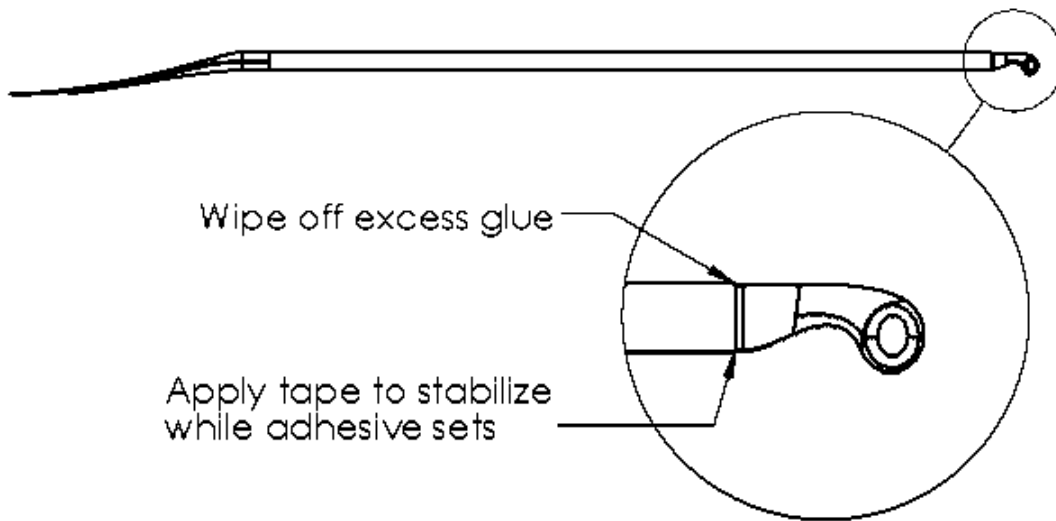
5. Sand stem portion of the palm-grip with sandpaper. By abrading these two surfaces, it allows glue to properly adhere.



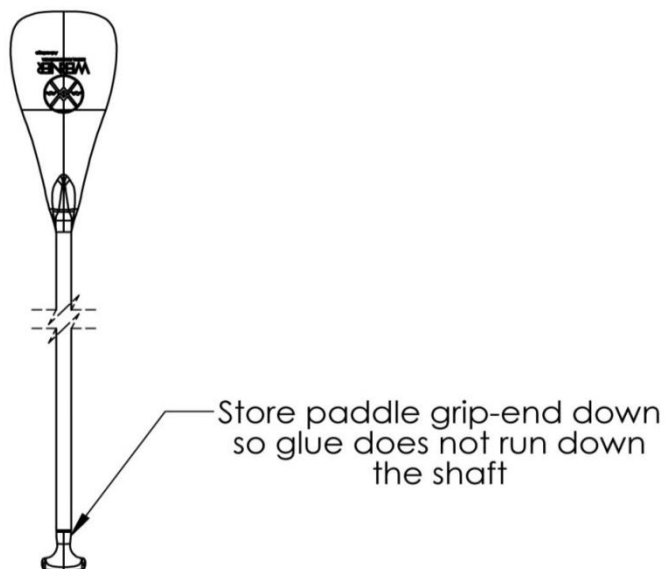
6. Apply approved adhesive evenly to both the sanded inner part of shaft, and to the sanded stem of palm-grip.



7. Insert grip into shaft. Twist to spread glue, creating a watertight seal.
8. Align grip along the same angle as the blade. It is critical that this step be done properly, prior to the glue setting up. Failure to do so will render the paddle unusable once the glue is dry.



9. Wipe off excess glue that oozes out. Using masking tape, secure the grip in place to assure it does not twist while the glue dries.





10. Let dry according to glue manufacturer specifications. Orient the grip end down so the glue does not run down shaft.

By choosing to take part in our uncut program, you agree that you are responsible for any issues that may arise in the future in regards to the installation of the grip. Again, adjustable straight shaft paddles and bent shaft paddles are not included in this program.

If you have any questions about the grip installation process, please contact Werner Paddles Customer Service at 1-800-275-3311.

Approved Adhesives:

The adhesive needed for the installation is a **waterproof epoxy**. Werner Paddles cannot evaluate every product out on the market, but we have tested the adhesives listed below and have found that if they are used according to our Installation Instructions, they will provide an adequate bond. The below products are available at Home Depot, Lowe's, or Wal-Mart.

Recommended Adhesives:

Super Glue Anchor Tile epoxy adhesive
Super Glue Delayed set epoxy
Loctite epoxy gel
Loctite Marine epoxy
Devcon Plastic Welder
Devcon 2 ton epoxy
J-B Weld steel reinforced epoxy

Quick Cure Adhesive Options:

Gorilla 5-min Epoxy
Devcon Flow Mix 5-min Epoxy
Loctite Quick Set Epoxy
J-B Weld ClearWeld Quick Setting Epoxy

If you have any questions about approved adhesives, please contact Werner Paddles Customer Service at 1-800-275-3311.